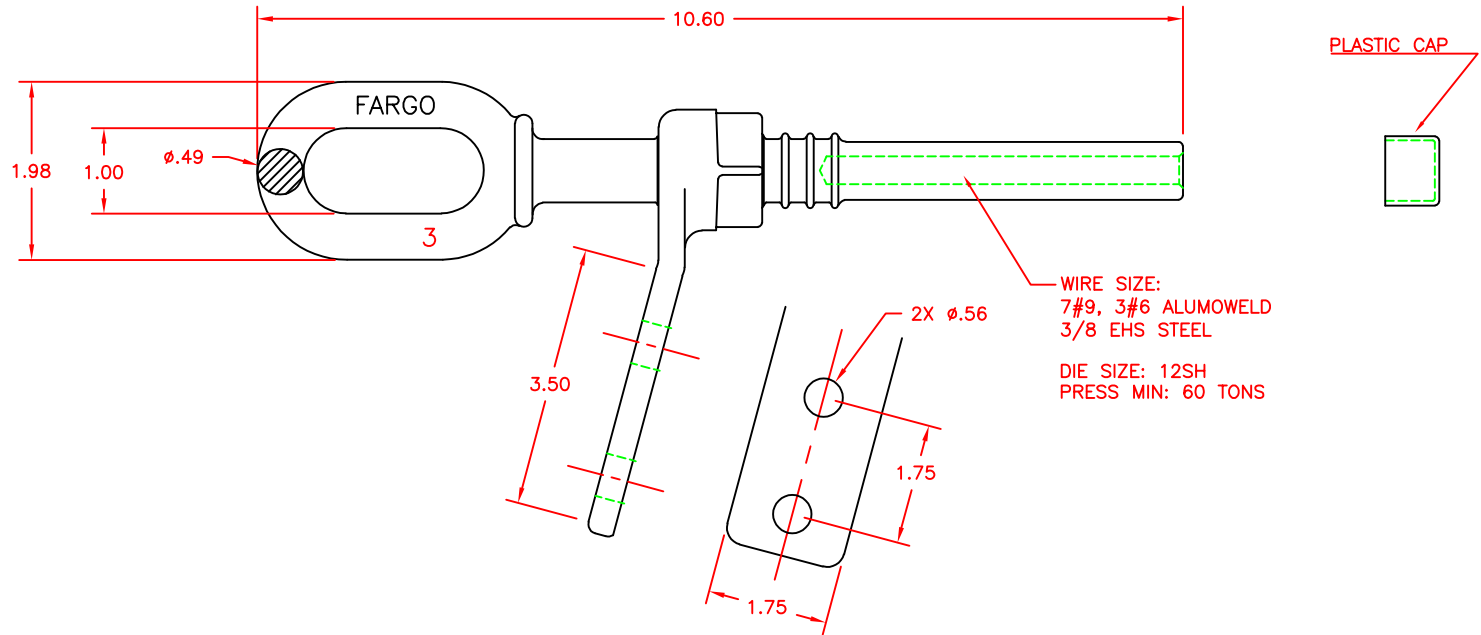



NOTES:

1. MATERIAL: BODY - GALVANIZED FORGED STEEL
PAD & HARDWARE - ALUMINUM ALLOY
2. DIMENSIONS IN INCHES
3. WEIGHT APPROX. 1.1 LBS.



--	--	--	--	FARGO*		 HUBBELL* POWER SYSTEMS			
EC #	DATE	CHG BY	RESP ENG	<small>CONFIDENTIAL: THIS DRAWING AND ITS CONTENTS ARE CONFIDENTIAL AND THE EXCLUSIVE PROPERTY OF HUBBELL POWER SYSTEMS. NO PUBLICATION, DISTRIBUTION OR COPIES MAY BE MADE WITHOUT THE WRITTEN CONSENT OF HUBBELL POWER SYSTEMS. HUBBELL POWER SYSTEMS UNPUBLISHED. ALL RIGHTS RESERVED UNDER THE COPYRIGHT LAWS.</small>		<small>TITLE</small> SHIELD WIRE DEADEND WITH PAD "S" SERIES WITH VERTICAL EYE			
DESC OF DVG:						<small>SIZE</small> B	<small>DWG NO.</small> CUTSHEET	<small>CAT / PART / ASSY NO.</small> 861225S	<small>REV</small> A
REASON (S) FOR CHANGE: --						<small>DO NOT SCALE THIS DRAWING</small>	<small>DRN BY</small> PTB	<small>DATE</small> 4/5/13	<small>SHEET 1 OF 1</small>
DISPOSITION OF MAT'L: --									